








INSTRUCTION MANUAL

CUPBOARD/ORGANIZER

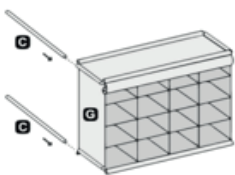
1694080

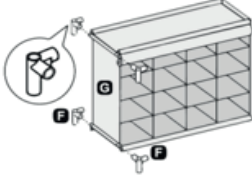


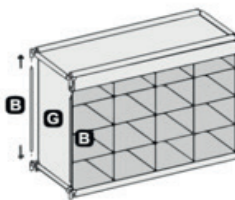
- A** 4X 
- B** 4X 
- C** 4X 
- D** 4X 
- E** 4X 
- F** 8X 
- G** 1X 

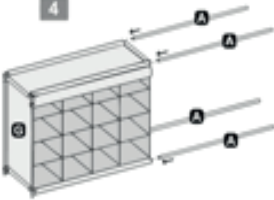
Steps


- 1**


- 2**


- 3**


- 4**


- 5**


- 6**

