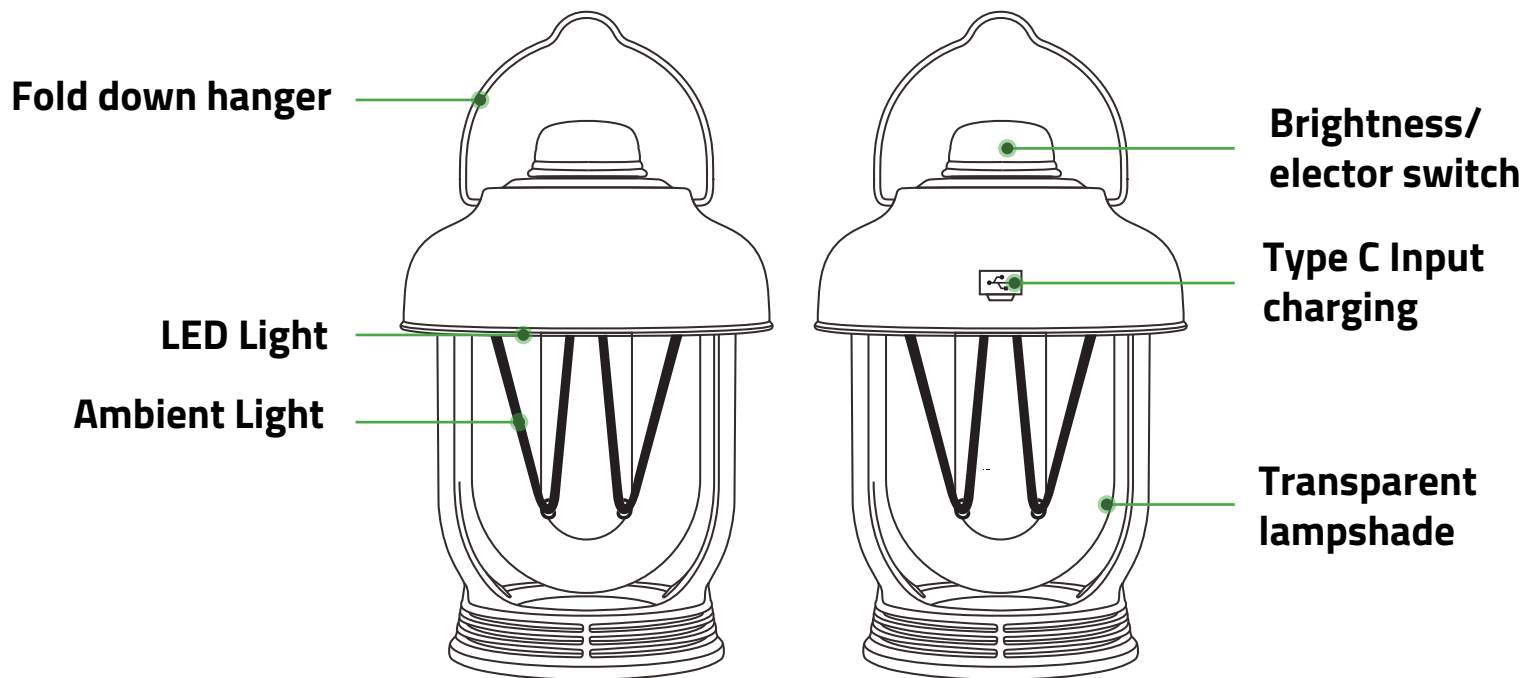


# INSTRUCTION MANUAL

## TABLE LANTERN DEKALB



### Use

Briefly press the switch to select the lighting mode, and rotate the switch to adjust the brightness within each mode.

Lighting modes:

- Amber
- Amber flicker
- Cool white
- Cool white with amber

### Charging indication

The red indicator light will illuminate during the charging process after connecting the charging cable, and it will turn green once the charging is complete.

